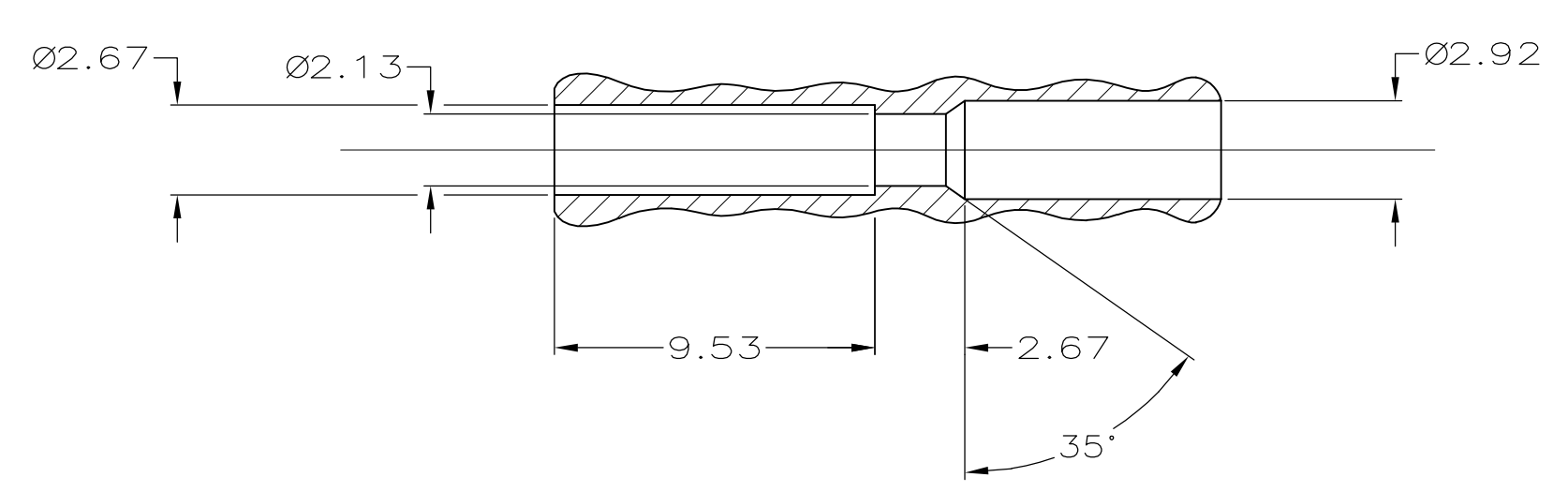
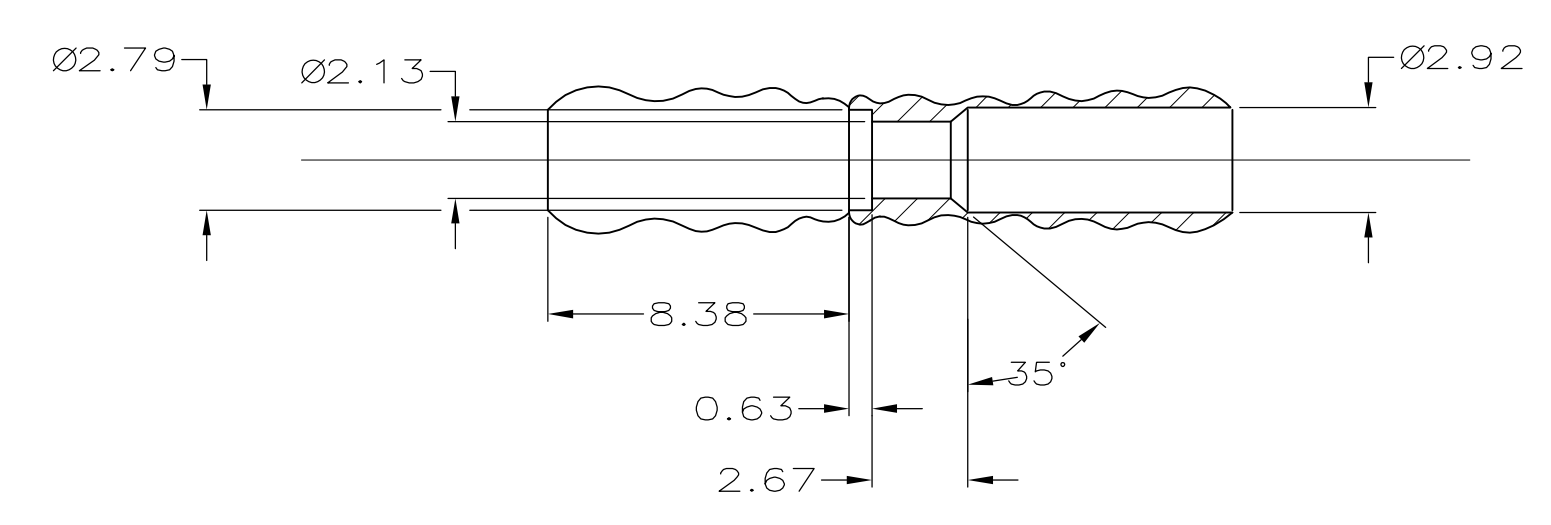


- 2. 0.0008 MIN GOLD INSIDE RECEPTACLE IN LOCALIZED PLATE AREA, OVER 0.0008 MIN NICKEL.
- 3. EITHER CAVITY WILL ACCEPT RECEPTACLE 350628,640392 OR PIN 350629,640391.
- 4. REELED ON PLASTIC REELS.

-	-
.660	16.76
.375	9.53
.330	8.38
.200	5.08
.145	3.68
.130	3.30
.115	2.92
.110	2.79
.105	2.67
.095	2.41
.090	2.29
.085	2.16
.084	2.13
.082	2.08
.081	2.06
.079	2.01
.075	1.91
.050	1.27
.040	1.02
.025	0.63
.008	0.20
.005	0.13
0.00030	0.0008
IN	MM
CONVERSION TABLE	

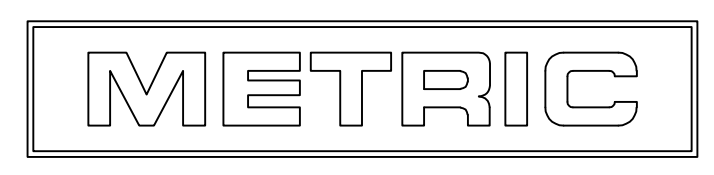


TYPICAL RECEPTACLE CAVITY SECTION REFERENCE



TYPICAL PLUG CAVITY SECTION REFERENCE

4	PRE-TIN	0.20 BRASS	1.27-2.79	24-18	350628-8
2	0.20 PH.BRZ.	1.27-2.79	24-18	350628-6	
2	0.20 BRASS	1.27-2.79	24-18	350628-5	
	PRE-TIN	0.20 PH.BRZ.	1.27-2.79	24-18	350628-2
	PRE-TIN	0.20 BRASS	1.27-2.79	24-18	350628-1
	FINISH	MATERIAL	INSULATION DIAMETER	WIRE RANGE	PART NO



THIS DRAWING IS A CONTROLLED DOCUMENT.

DIMENSIONS: mm (INCHES)	TOLERANCES UNLESS OTHERWISE SPECIFIED:	DWN K. SALMON 9-30-91	CHK P. SWING 9-30-91	APVD C. CASH 10-1-91	NAME
0 PLC ± -	1 PLC ± -	2 PLC ± -	3 PLC ± 0.13	4 PLC ± -	ANGLES ± 0° 30'
MATERIAL SEE TABLE	FINISH SEE TABLE	SIZE A1	CAGE CODE 00779	DRAWING NO. C-350628	RESTRICTED TO
CUSTOMER DRAWING				SCALE 5:1	SHEET 1 OF 1 REV S1

STE TE Connectivity
 .062 SOCKET
 COMMERCIAL PIN & SOCKET